

RENISHAW 

OMP600

Optical Machine Probe



The **Renishaw OMP600** High Accuracy Probe features an ultra compact design with optical transmission for compact to small machining centers and mill-turn centers.

Benefits

- Reduced set-up & calibration routines provide more time for machining cycles
- Improved process control and quality set-up
- Reduced, rework, concessions and scrap
- Less operator intervention
- Long service life
- Fast to install & easy to use
- Used with automatic tool changers

Features

- Proven Rengage Strain Gage Technology offering .025 μm repeatability at 2σ
- Modulated Transmission for exceptional resistance to light interference
- Sealed to IPX8 for use in the harshest machining environments
- Ultra-compact probe design (63mm \varnothing x 76.5mm long)
- Unrivalled performance on complex 3D shapes, ideal for 5-Axis machine tools
- Wide variety of shanks to fit nearly all machining centers



Specifications

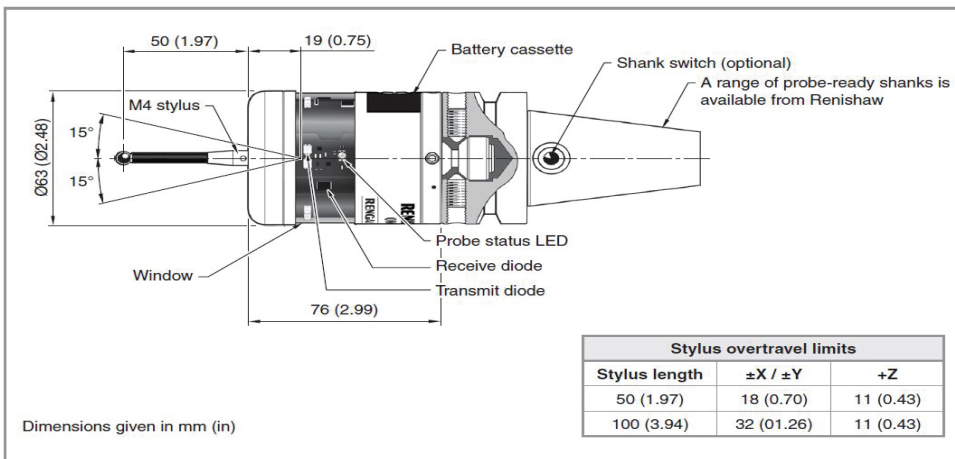
Primary application	Inspection probe for machining centers and small to medium machines
Sense directions	$\pm X \pm Y + Z$
Trigger force	XY 0.15 N / 15 gf (0.54 ozf) Z 1.75 N / 178 gf (6.03 ozf)
Stylus overtravel force XY plane (typical minimum) +Z direction (typical minimum)	3.05 N, 311 gf (10.98 ozf) 10.69 N, 1090 gf (38.51 ozf)
Sealing	IPX8 (EN/IEC 60529)
Unidirectional repeatability	0.25 μm (10 μin) 2σ — 50 mm (1.97 in) stylus length 0.35 μm (14 μin) 2σ — 100 mm (3.94 in) stylus length

Renishaw Inspection Plus Software Cycles

- X or Y or Z single surface measure
- Web/pocket measure
- 4 point bore/boss measure
- Internal/external corner
- 3 point bore/boss vector measure
- Angled XY surface measure
- Holes on a pitch circle diameter (PCD) ie: Bolt hole patterns
- 4th axis measure. Can be modified for 4th and 5th axis applications
- Stock allowance
- Multi-stylus calibration with option to run multiple probes with different stylus angles
- Calibration on a ring or sphere available
- XYZ single surface vector measurement
- Optional software available for true 3D and form measurement

Battery Life (2 x AA 3.6 V lithiumthionyl chloride)

Stand-by Life	Continuous use	Continuous use
Typical (days)	Modulated	Legacy
Dependent on switch-on/switch-off option	Dependent on switch-on/switch-off option	Dependent on switch-on/switch-off option
800 days maximum	380 hours	410 hours



Productivity Quality, Inc.

15150 25th Avenue North, Suite 200
Plymouth, MN 55447
www.PQIProbing.com
(800) 772-0620

